



Process sensors



IO-Link display: process values at a glance



IO-Link display



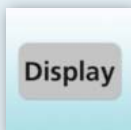
Four measured values / text displays and four message windows for free text

Colour change for text and background

Flexible adaptation of the display, also during operation

IO-Link 1.1 compatible

Easy integration into each IO-Link structure



More plant transparency

The IO-Link display is a flexible solution to display process values, texts and messages in a plant. It displays up to four assigned process values, alarms and warnings. Clear text and as an option a colour change of text and background can be used for a quick overview.

By means of buttons the user can trigger control actions of the PLC or acknowledge messages.

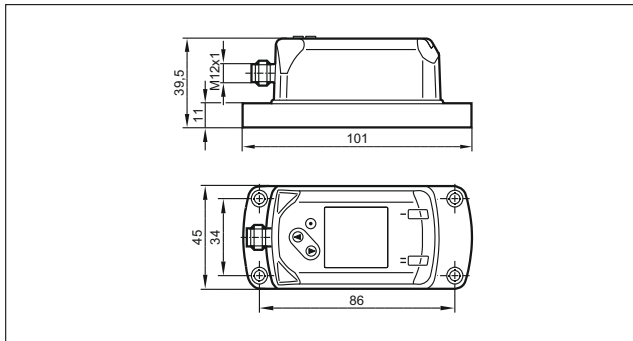
Easy integration

The IO-Link display is connected to an IO-Link master and controlled via PLC. No special software is required for configuration.

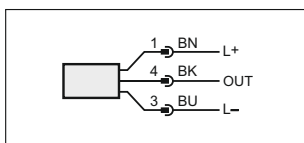
Texts and settings can be predetermined via an IO-Link device tool such as LINERECORDER SENSOR. Texts and settings can be adapted even during operation via the PLC.



Dimensions



Wiring



Accessories

Type	Description	Order no.
	DIN rail clip, PA; 1.4567 (V2A)	E30429

Resolution pixels	Display type	Display illumination	Order no.
-------------------	--------------	----------------------	-----------


1.44" colour display

128 x 128	TFT	LED	E30391
-----------	-----	-----	--------

Technical data

IO-Link display E30391		
Operating voltage	[V DC]	18...30
Current consumption	[mA]	< 47
Protection rating / protection class		IP 65, IP 67 / III
Reverse polarity protection		•
Communication interface		
IO-Link device		
Type of transmission		COM2 (38.4 kbaud)
IO-Link revision		1.1
SDCI standard		IEC 61131-9
Ambient temperature	[°C]	0...60
EMC		EN 61000-6-2 EN 61000-6-4
Shock resistance	[g]	20 (11 ms)
Vibration resistance	[g]	20 (10...50 Hz)
Housing materials		Stainless steel (303/1.4305); PC; PBT-GF 30; PPS; PA 6.6; FKM
Connection		M12 connector

Connection technology

Type	Description	Order no.
	M12 jumper 1 m black, PUR cable	EVC042
	M12 jumper 2 m black, PUR cable	EVC043
	M12 jumper, 3 m black, PUR cable	EVC102
	M12 jumper, 5 m black, PUR cable	EVC044
	M12 jumper, 10 m black, PUR cable	EVC493