



Position sensors

Valve feedback sensor with easy wiring



Valve feedback systems for rising stem valves and quarter-turn actuators



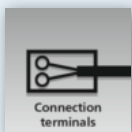
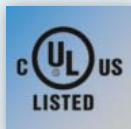
Heavy-duty housing for long life

Integrated solenoid wiring

Lasered label can be read even when wet

Clearly visible status indication

Spacious terminal chamber for easy access



End position feedback on quarter-turn actuators

The unit contains two inductive sensors in a potted and sturdy housing with protection rating IP 67. It signals two end positions. It is equipped with a solenoid connection replacing the additional cable to the solenoid valve.

Fast and easy wiring

The actuator interface is optionally equipped with a standardised M20 x 1 gland. The spacious terminal chamber allows quick and easy wiring. Since the terminal block can be removed, no new wiring is required if the sensor is replaced.

A UL approval for this product is currently in progress.

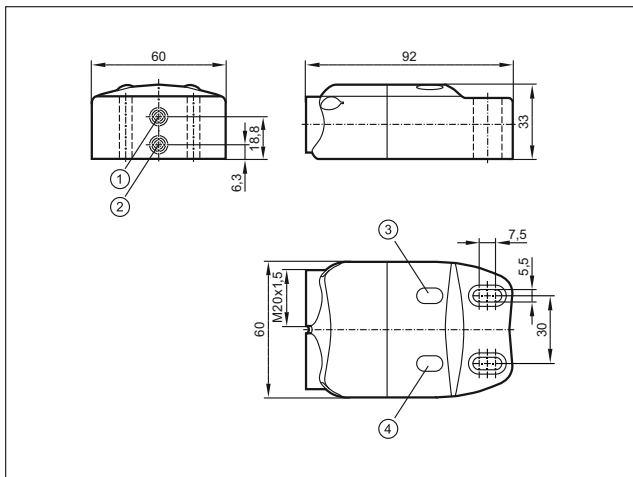


Connection Sensor / valve	U _b [V]	Ambient temperature [°C]	Output function	Protection	Order no.
------------------------------	-----------------------	--------------------------------	--------------------	------------	--------------

Terminal chamber

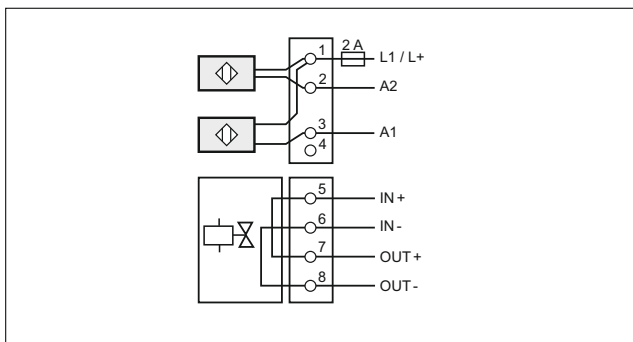
2 x M20 x 1.5	20...250 AC/DC	-25...70	2 x normally open	IP65 / IP67, II	IN0131
---------------	----------------	----------	----------------------	-----------------	---------------

Dimensions



- 1) Sensor 1
- 2) Sensor 2
- 3) LED OUT 2
- 4) LED OUT 1

Wiring diagram



Further technical data

Switching frequency	[Hz]	25 AC / 50 DC
Sensing range	[mm]	4
Electrical design		AC/DC
Housing material		PA
Minimum load current	[mA]	5
Leakage current	[mA]	< 15
Current rating (Duration)	[mA]	350 AC (...50 °C) / 250 AC (...70 °C) / 100 DC
Current rating (In brief)	[mA]	î: 2.2 A (20 ms / 0.5 Hz)
Environmental conditions	[°C]	-25...70
Connection		Screw terminals

Accessories

Type	Description	Order no.
	Target puck Ø 53 mm	E17320
	Target puck Ø 102 mm	E17328
	Spacer for ifm puck, PA	E12084
	Plug for covering the oblong holes, EPDM	E12212
	Protective cap, PA 6.6	E12209
	Cable gland, M20 x 1.5, PA 6.6	E12208