



Sensors for motion control

Decentralised display, preprocessing and conversion of analogue signals



Pulse evaluation systems



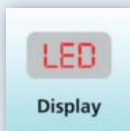
Mini display to monitor values

Clearly visible display with
red/green colour change

Compact design with
protection rating IP 67

Parameter setting via IO-Link

Conversion of analogue
measured values to an IO-Link
communication



Analogue signals at a glance

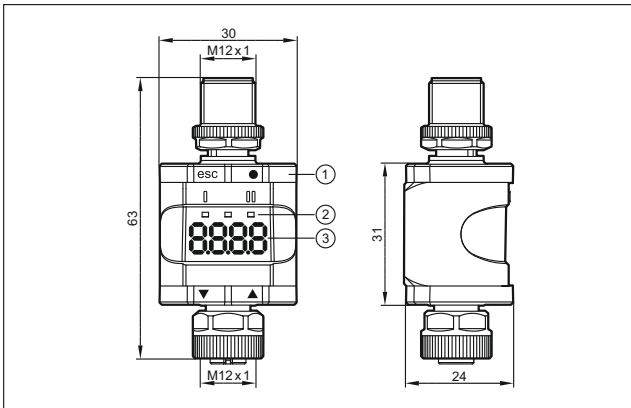
The compact connector unit is simply inserted in the connection cable of analogue sensors (4...20 mA). It displays the measured values locally. The user can set a switch point or limit at which the transistor output switches. A colour change (red/green) of the display indicates this unmistakably. Critical process states or operational problems are reliably signalled.

Converter for Industry 4.0

A special feature is the signal conversion: The threshold display converts analogue signals to digital IO-Link signals. Today they are required in almost any modern industrial environment and for Industry 4.0 applications.

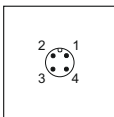


Dimensions



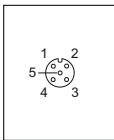
- 1) Push ring
- 2) LEDs
- 3) Display

Wiring diagram



M12: plug

- Pin 1: L+ supply
- Pin 2: OUT2 analogue output
- Pin 3: L- supply
- Pin 4: OUT1 switching output 1 or IO-Link



M12: Buchse

- Pin 1: L+ sensor supply
- Pin 2: 4...20 mA analogue input
- Pin 3: L- sensor supply
- Pin 4: not used
- Pin 5: not used

Technical data

| Threshold display DP2200 | | |
|--------------------------|--------|---|
| Operating voltage | [V DC] | 27 (typ. 24) |
| Inputs | | 1 x analogue, 4...20 mA |
| Outputs | | 1 x digital / IO-Link, normally open / closed programmable 1 x analogue, 4...20 mA |
| Display | | 7-segment LED display 4-digit red/green programmable |
| Output status indication | LED | yellow |
| Operation | LED | green |
| Protection | | IP 67 |
| Ambient temperature | [°C] | -25...70 |
| Wiring | | M12 connector |

Accessories

| Type | Description | Order no. |
|------|--|-----------|
| | Mounting clip | E89208 |
| | USB IO-Link master for parameter setting and analysis of units Supported communication protocols: IO-Link (4.8, 38.4 and 230 Kbits/s) | E30390 |
| | LINERECORDER SENSOR, Software for parameter setting and setting up IO-Link sensors | QA0001 |

Typical plant configuration

