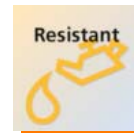
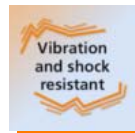


ecolink – The secure connection even in difficult applications



From factory automation to machine tool industry

- Connection technology meets the M12 standard (EN 61076)
- Optimum sealing even when mounted without tools
- The mechanical end stop protects the O-ring against destruction
- Visible and tactile marking of the ports

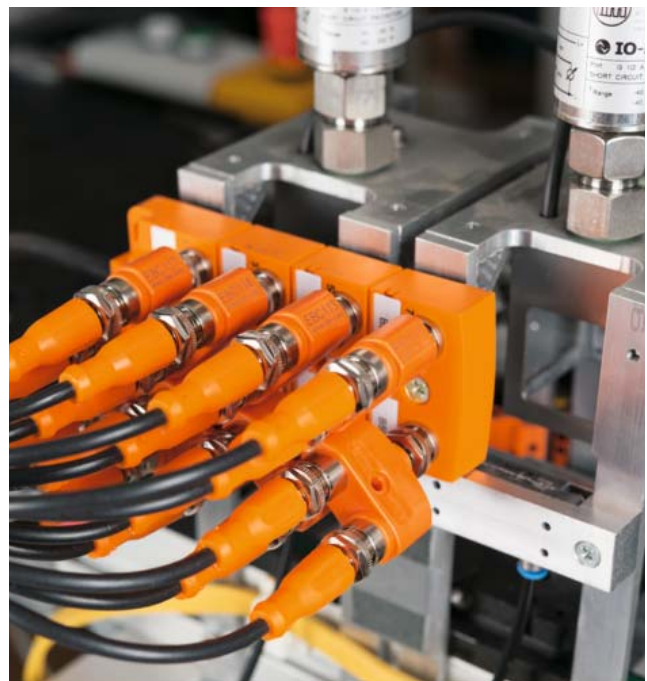


ecolink M8 and M12 for demanding applications

Most applications require special solutions. Only high-quality materials, safe production processes and faultless mounting lead to success in the long run.

The integrated end stop protects the O-ring against destruction caused by tightening the nut too much. Mounting and removal are carried out without tools.

High-quality materials especially adapted to the application and intensive monitoring during and after production guarantee maximum quality standards.



ecolink –
a new dimension in connection technology.



Applications:

Factory automation, machine tool industry, construction of machinery, hydraulics

Technical data

Operating voltage:

4-pole: 250 V AC / 300 V DC

5-pole: 60 V AC / DC

EBC112: 50 V AC / 60 V DC

Nominal current: 4 A (EBC112, 3A)

Protection rating: IP 67, IP 68, IP 69K
in locked condition with the matching counterpart.

Tightening torque:

0.6...1.5 Nm (EBC112: 0.3...0.5 Nm)

Ambient temperature: -25...90 °C

Materials:

Housing / moulded body: PA

Coupling nut (non-rotatable): CuZn/Ni

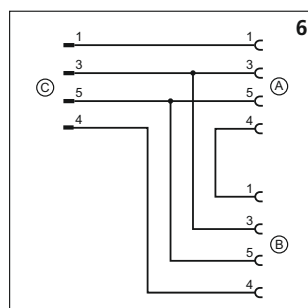
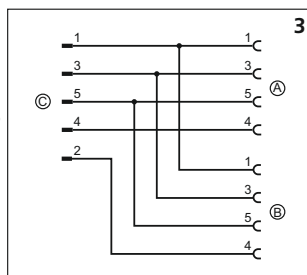
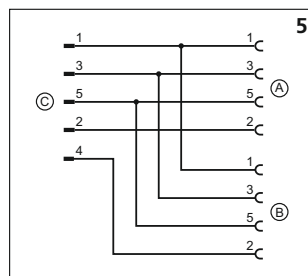
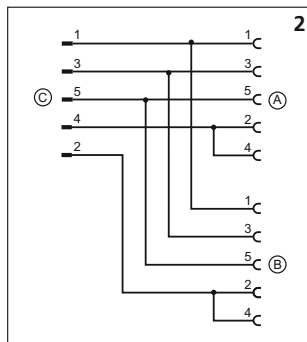
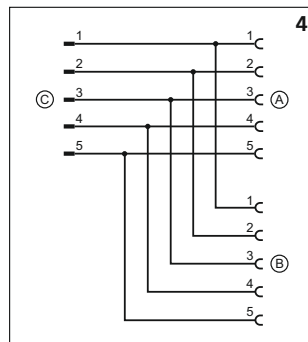
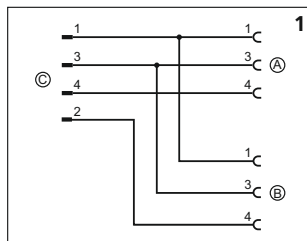
Contacts: gold-plated



Sealing ring: Viton

Approvals:

cRUUs in preparation

Wiring diagram



Type	Wiring diagram No.	Order no. old	Order no. NEW
1 x M12 male, 2 x M8 female			
	1	–	EBC112
1 x M12 male, 2 x M12 female			
	1	E11562 E12165	EBC113
	2	E10803	EBC114
	3	E12265	EBC115
	4	–	EBC116
	5	–	EBC117
	6	–	EBC118

Dimensions

