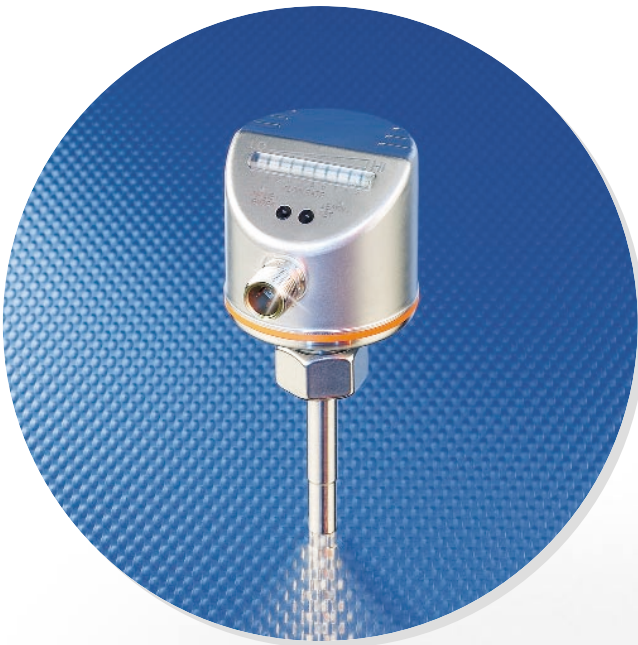


Flow sensor in robust stainless steel housing.



Increased sensitivity across the measuring range.

- Increased repeatability across the measuring range.
- Simplified setting mode for quick set-up.
- Variable process connection using adapters.
- Reliable monitoring of gaseous and liquid media.
- Electronic locking of the setting values.

IP 67

TEACH-IN
for simple operation.

Vibration and shock resistant

High-grade stainless steel

Simple, fast and flexible mounting.

The flow sensors of the SI5 series can be integrated into almost every application by means of a wide selection of process adapters. The robust stainless steel housing provides high reliability even in cases of harsh environmental conditions.

The unit is unaffected by the orientation of the sensing face with respect to the direction of flow, providing increased flexibility of installation.

Easy handling and high functionality

Adjustment to the flow and setting of the switch points are carried out using pushbuttons. Current flow and switch point are indicated with the local multi-coloured LEDs.

Electronic locking of the settings and factory reset of the parameters provide additional safety.



Type SI flow sensor in a cooling water monitoring application.

fluid sensors and diagnostic systems

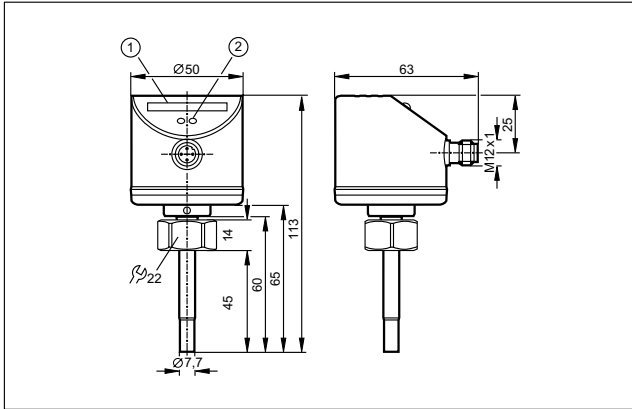
position sensors and object recognition

bus, identification and control systems

Setting range liquid / gas [cm/s]	Greatest sensitivity [cm/s]	Medium temperature [°C]	Response time [s]	Repeatability [% of the measured value]	U _b [V]	I _B [mA]	Order no.
-----------------------------------	-----------------------------	-------------------------	-------------------	---	--------------------	---------------------	-----------

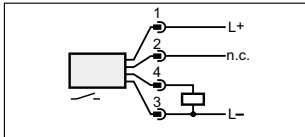
M12 connector · output function							
3...300 / 200...3000	3...100 / 200...1200	-25...80	1...10	5 (0...100 cm/s)	19...36 DC	250	SI5000

Dimensions



- 1) LED function indication
- 2) Setting buttons

Wiring diagram



Accessories

Type	Description	Order no.
	Adapter M18 x 1.5 - L18 for mounting in T pieces	E40104
	Adapter, M18 x M1.5 - G1/2	E40096
	Welding adapter, M18 x 1.5 - Ø 24 mm	E40124
	Flow adapter (for low flow rates), M12 x 1 - G 1/8	E40129

Further technical data

Type SI5000		
Pressure resistance	[bar]	30
Power-on delay time	[s]	15
Short circuit / reverse polarity protection		• / •
Protection		IP 67, III
Operating temperature	[°C]	-25...80
Switch point setting		via pushbuttons
Optical function indication	LED	10
Sensor material / housing		high-grade stainless steel (316S12) / stainless steel

Connectors and splitter boxes

Type	Accessories	Order no.
	Socket, M12, 2 m black, PUR cable	E10900
	Socket, M12, 5 m black, PUR cable	E10901
	Socket, M12, 2 m black, PUR cable	E10906
	Socket, M12, 5 m black, PUR cable	E10907
	Socket, M12, 2 m black, PUR cable	E10909
	Socket, M12, 5 m black, PUR cable	E10910
	Socket, M12, 2 m black, PUR cable	E10915
	Socket, M12, 5 m black, PUR cable	E10916