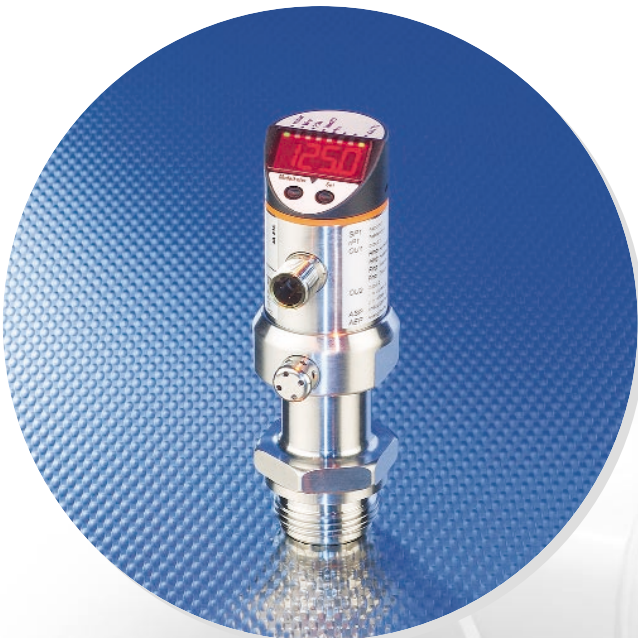


Pressure meter with outstanding features.



Pressure transmitter with LED display in 2-wire connection technology.

- 4...20 mA analogue output and optional PC connection.
- Extensive menu functions for a high degree of process safety.
- High overall accuracy (0.2 %) and electronic temperature compensation.
- Overload resistant and drift-free ceramic measuring cell with a purity (99.9 %).
- O-ring-free sealing concept for maintenance-free (long-term) operation.



Application

Pressure transmitters with a 4-digit LED display can now also be used in applications where only a 2-wire technology is available. Thanks to high quality materials of housings, process connection and measuring cell the units can be used in processes with high aseptic requirements and where high chemical resistance is required.

Your advantage

Thanks to the usual and extensive menu functions and the 4-digit 10-segment display there is more or less no need for separate evaluation and display units. Without additional level of input and the related cost permanent safety and transparency of the process values can be ensured.



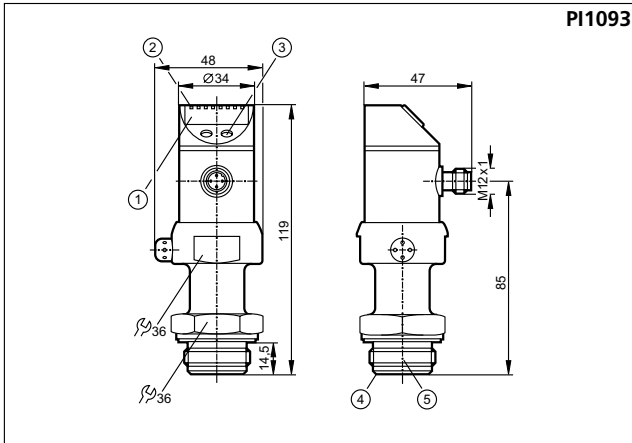
fluid sensors
and diagnostic
systems

position
sensors
and object
recognition

bus,
identification
and control systems

Pressure transmitter 4...20 mA
2-wire connection technology
Measuring range -1...25 bar

Dimensions



- 1) 4-digit alphanumeric display
- 2) LEDs (display unit)
- 3) Programming button
- 4) Aseptoflex sealing edge
- 5) Aseptoflex thread

Technical details

The ceramic measuring cell (Al₂O₃ 99.9 %) contributes its share to ensure drift-free continuous operation under overload conditions. The way the measuring cell is attached in the unit is specially important for aseptic processes. Using an elastically attached PTFE ring solves this problem in a unique way. A worldwide unique solution for demanding monitoring tasks under severe conditions!

Full parameter setting and read-out of the sensors can be carried out via an optional PC connection.

A modular connection concept with the tried-and-tested ASEPTOFLEX sealing concept allows selection of the process connection depending on local conditions.

Selectable country-specific pressure units are bar/mbar, kPa/MPa, psi and %.

Accessories

Type	Description	Order no.
	EPS service system	ZZ0050
	Protective cap high-grade stainless steel with Viton sealing	E30101
	Protective cap high-grade stainless steel with EPDM sealing	E30104

Measuring range Relative pressure [bar]	P _{overload} max. [bar]	P _{bursting} min. [bar]	Order no.
-----------------------------------------------	----------------------------------------	----------------------------------------	--------------

Process connection: ASEPTOFLEX adapter thread

-1...25	100	350	PI1093
-1...10	50	150	PI1094
-1...4	30	50	PI1095
-0.12...2.5	20	50	PI1096
-0.05...1	10	30	PI1097
-0.012...0.25	10	30	PI1098
-1...1	20	50	PI1099

Common technical data

Deviation of the characteristics	[%]	0.2
Repeatability	[%]	0.1
Greatest TEMPCO of the zero point in the range 0..70 °C		< ± 0.05 % (per 10 K)
Greatest TEMPCO of the span in the range 0..70 °C		< ± 0.1 % (per 10 K)
Operating temperature	[°C]	-25..80
Medium temperature	[°C]	-25...125 (145 max. 1h)
Operating voltage	[V]	20...32 DC
Load analogue output	[Ohm]	max. 300
Materials (wetted parts)		stainless steel (316S12), ceramics (99.9% Al ₂ O ₃), PTFE
Shock resistance		50 g (11 ms)
Vibration resistance		20 g (10...2000 Hz)
Pressure cycles		100 million

Connectors and splitter boxes

Type	Description	Order no.
	Socket, M12, 5 m orange, PVC cable	E10700
	Socket, M12, 10 m orange, PVC cable	E10701
	Socket, M12, 5 m orange, PVC cable	E10662
	Socket, M12, 10 m orange, PVC cable	E10663

For details about different process adapters (to be ordered separately) please refer to our catalogue "Fluid sensors and diagnostic systems"

ifm article no. 7511128 · Printed in Germany on non-chlorine paper. · We reserve the right to make technical alterations without prior notice. · 03.2006