

Automation box for pneumatic quarter-turn actuators.



Control and position feedback with AS-i.

- Sensor, valve, switching cam and connection cable: All in one box.
- For all actuators according to VDI/VDE 3845.
- Prewired cable to the solenoid valve.
- Dual sensors with integrated AS-i connection.
- 20 % cost reduction compared to switchbox mounting.

IP 67

Vibration and shock resistant

Easy-to-use

Inductive dual sensor for position feedback on quarter-turn actuators.

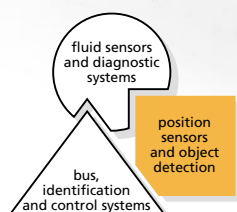
In industrial processes where liquids, air or gases are used, valves serve for dosing and control. These valves are seldom operated manually. Pneumatic valve actuators are normally used for mechanical positioning.

The all-in-one solution for a quick start.

The set contains all parts needed to enable connection of a pneumatic quarter-turn actuator to AS-i.

This means: Control of the solenoid valve and position feedback are only carried out via the two-wire cable typical for AS-i.

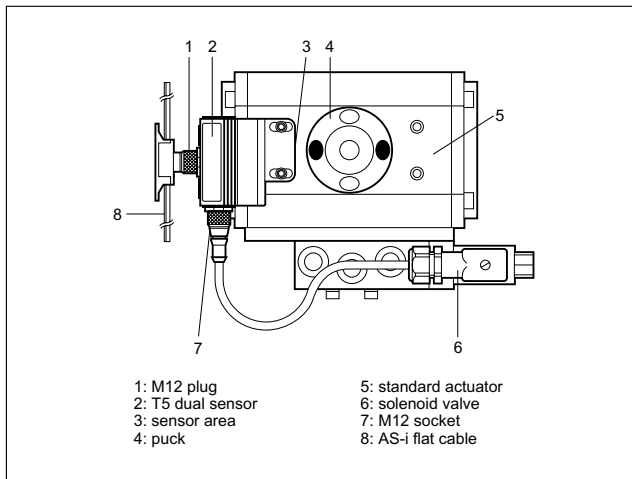
This saves mounting and wiring costs.



Valve sensors

Type	Airflow rate [l/min]	Diameter [mm]	Material switching cam / screw	Hole spacing [mm]	Shaft height [mm]	Order no.
Solenoid valve		Switching cam		Dimensions (to VDI / VDE 3845)		
Bürkert	1300	53	POM / stainless steel	80	20	AC0017
Bürkert	1300	65	PBT / stainless steel	80	30	AC0019
Bürkert	1300	102	PBT / stainless steel	130	30	AC0020
Norgren Herion	500	53	POM / stainless steel	80	20	AC0021
Norgren Herion	500	65	PBT / stainless steel	80	30	AC0022
Norgren Herion	500	102	PBT / stainless steel	130	30	AC0023

Operating and functional elements



Common technical data

Solenoid valve

U_b	[V]	24
Power	[W]	1
Operating principle (switching by means of adapter plate)		5/2, 3/2
Pressure range	[bar]	2...8
Mechanical interface		VDI / VDE 3845

Dual sensor AC2316, A/B slave

Dimensions	[mm]	55 x 35 x 60
U_b	[V]	via AS-i
Sensing range	[mm]	4 nf
Electrical design		AS-i 2.1
Temperature range	[°C]	-20...70

Connection

Connector	M12
Material	stainless steel

For a detailed selection tool sorted by valve manufacturers please go to:
http://www.ifm-electronic.com/ifmde/web/puck_sel.htm