



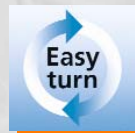
Permanent machine protection made easy.



efector
octavis

Compact vibration monitor with transmitter and switching output.

- Now available as a variant with a measuring range of up to 50 mm/s.
- Permanent vibration monitoring according to ISO 10816.
- Switching output with adjustable switch point and response delay.
- Transmitter signal 4...20 mA for direct display at the control desk.
- Easy adjustment via two setting rings allowing optimum read-out.



Permanent vibration monitoring

The electronic VK type vibration monitor monitors online the overall vibration condition of machines and equipment according to ISO 10816. The sensor measures the rms vibration velocity on a non-rotating component surface. When an adjustable limit value is exceeded the unit sets to alarm via a switching contact.

In addition the characteristic value is provided as current signal (4...20 mA) for connection to the process control system.

Easy operating concept

The easy set-up via 2 radial setting rings allows quick setting of the switch point and response delay.

The protective cap, which can be obtained as an accessory, ensures protection against tampering.



Monitoring of the overall vibration of rotating components (fans, centrifuges etc.).

fluid sensors and diagnostic systems

position sensors and object recognition

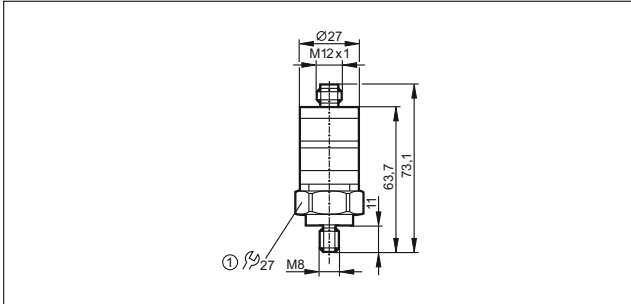
bus, identification and control systems

Vibration monitor VK

Setting of the switch point and response delay via setting rings directly on the unit.

Monitoring of the overall vibration condition of machines and equipment according to ISO 10816.

Dimensions




1) Tightening torque 15 Nm

Technical data

Vibration monitor VKV022 / VKV021		
Operating voltage	[V]	18...32 DC (If only the switching output is used, a 9.6 V supply is sufficient).
Switching output		1 switching output NC, adjustable switch point, PNP, can withstand up to 500 mA
Analogue output	VKV022	4...20 mA (4 mA = 0 mm/s; 20 mA = 50 mm/s)
Analogue output	VKV021	4...20 mA (4 mA = 0 mm/s; 20 mA = 25 mm/s)
Response delay		adjustable from 1...60 seconds
Reverse polarity protection		•
Protection		IP 67, III
Ambient temperature	[°C]	-25...80
Housing material		high-grade stainless steel, plastic (Makrolon)
Overload protection	[g]	100
Frequency range	[Hz]	10...1000
Measuring range	VKV022 [mm/s] VKV021 [mm/s]	0...50 0...25
Measurand		Vibration velocity rms
Connection		M12 connector



Accessories

(to be ordered separately)

Type	Description	Order no.
	Protective cover, transparent plastic	E30094

Connectors and splitter boxes

(to be ordered separately)

Type	Description	Order no.
	Socket, M12, 2 m black, PUR cable	EVC001
	Socket, M12, 5 m black, PUR cable	EVC002
	Socket, M12, 10 m black, PUR cable	EVC003