

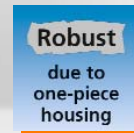
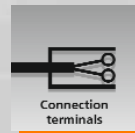


Valve position in a new light.



Unit with terminal chamber to complement the existing product range.

- Easy access and removable terminal strip.
- Suitable for armoured cable.
- Clearly visible position indicators.
- Robust housing.



Unit with terminal chamber

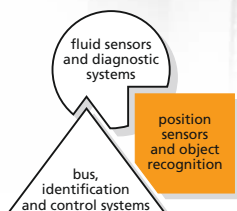
Two captive screws above the cable gland enable an easy opening and closing of the terminal chamber. The wiring can be maintained if the sensor is replaced, thanks to the removable terminal block. As an option, a solenoid valve can be triggered.

Position indication

The position of the actuator can be clearly seen from almost all angles due to the slightly raised position LED.

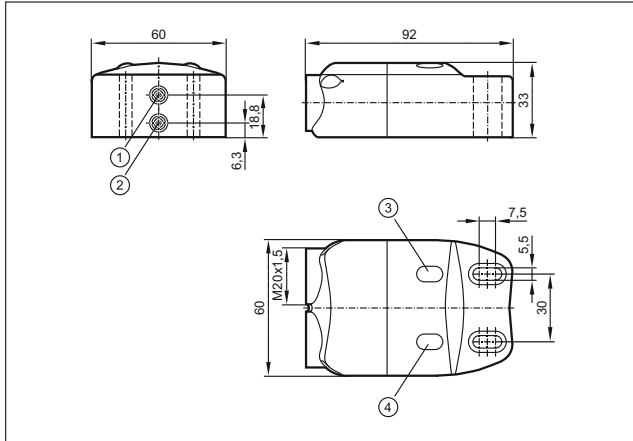
Accessories

Soft rubber plugs are available to close the oblong holes. They prevent clogging of the screw heads and at the same time result in a closed housing surface.



Connection	U _b [V]	Current rating [mA]	Ambient temperature [°C]	Output stage	Protection	Order no.
3-wire · Output function no						
terminal chamber	10...30 DC	100	-25...80	PNP	IP 65, IP67 / II	IN5409

Dimensions



- 1) sensor 1
- 2) sensor 2
- 3) LED
- 4) LED

Common technical data

Switching frequency	[Hz]	500
Sensing range	[mm]	4 nf
Short-circuit protection		•
Reverse polarity / overload protection		• / •
Housing material		PA

**Accessories
(to be ordered separately)**

Type	Description	Order no.
	Screw plugs standard	E12209
	M20 x 1.5 fitting standard	E12208
	Plugs for covering the oblong holes	E12212
	Switching cam, Ø 53 mm, PA 6	E17320
	Switching cam, Ø 65 mm, PA 6	E17327
	Switching cam, Ø 102 mm, PA 6	E17328

For a detailed selection tool sorted by actuator manufacturers please go to:

http://www.ifm.com/ifmgb/web/puck_sel.htm