

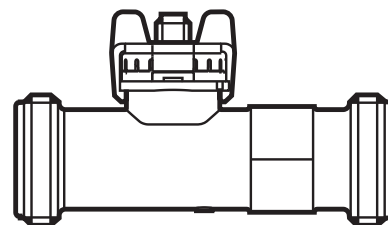
AE	ifm electronic FZC • Saif Zone, Sharjah • Tel. +971 / 6 5573601
AR	ifm electronic s.r.l. • 1107 Buenos Aires • Tel. +54 / 11 5353 3436
AT	ifm electronic gmbh • 1120 Wien • Tel. +43 / 1 617 45 00
AU	ifm efector pty ltd. • Mulgrave Vic 3170 • Tel. +61 / 1300 365 088
BE	ifm electronic n.v./s.a. • 1731 Zellik • +32 / 2 481 0220
BG	ifm electronic eood • 1202 Sofia • Tel. +359 / 2 807 59 69
BR	ifm electronic Ltda. • 03337-000 São Paulo/SP • Tel. +55 / 11 2672 1730
CA	ifm efector Canada inc. • Mississauga, ON L5N 6M1 • Tel. +1 / 855 436 2262
CH	ifm electronic ag • 4624 Härkingen • Tel. +41 / 800 88 80 33
CL	ifm electronic SpA • Oficina 5041 Comuna de Conchalí • Tel. +56 / 2 32 23 92 82
CN	ifm electronic (Shanghai) Co. Ltd. • 201203 Shanghai • Tel. +86 / 21 3813 4800
CZ	ifm electronic, spol. s r.o. • 140 00 Praha 4 • Tel. +420 / 26 79 90 21 1
DK	ifm electronic a/s • 2605 Brøndby • Tel. +45 / 70 20 11 08
ES	ifm electronic s.l. • 08820 El Prat de Llobregat • Tel. +34 / 93 479 30 80
FI	ifm electronic oy • 33100 Tampere • Tel. +358 / 75 329 5000
FR	ifm electronic s.a.s.u. • 93192 Noisy-le-Grand • Tel. +33 / 0820 22 30 01
GB	ifm electronic Ltd. Hampton Middlesex TW12 2HD • Tel. +44 / 20 8213 2222
GR	ifm electronic Monoprosopi E.P.E. • 15125 Amaroussio • Tel. +30 / 210 6180 090
HU	ifm electronic kft. • 9028 Győr • Tel. +36 / 96 518 397
IE	ifm electronic Ltd. • Dublin 22 • Tel. +353 / 1 461 3200
IL	ifm electronic Ltd. • 4486400 Tzur Yigal • Tel. +972 (0)74-7671700
IN	ifm electronic India Private Limited • Kolhapur 416234 • Tel. +91 / 231 267 27 70
IT	ifm electronic s.r.l. • 20864 Agrate Brianza (MB) • Tel. +39 / 039 689 99 82
JP	ifm efector co, Ltd. • Chuo-ku, Tokyo 103-0023 • Tel. +81 / 3 5255 5500
KR	ifm electronic Ltd. • 04420 Seoul • Tel. +82 / 2 790 5610
MX	ifm efector S. de R.L. de C.V. • 66269 San Pedro Garza García • Tel. +52 / 81 80403535
MY	ifm electronic Pte. Ltd • 47100 Puchong Selangor • Tel. +60 / 3 8066 9853
NA	ifm electronic (pty) Ltd • 25 Dr. W. Kulz Street Windhoek • Tel. +264 / 61 300 984
NL	ifm electronic b.v. • 3843 GA Harderwijk • Tel. +31 / 341 438 438
NZ	ifm efector pty ltd. • 930 Great South Road Penrose, Auckland • Tel. +64 / 9 579 6991
PL	ifm electronic sp. z o.o. • 40-105 Katowice • Tel. +48 / 32 70 56 400
PT	ifm electronic s.a. • 4410-137 São Félix da Marinha • Tel. +351 / 22 37 17 108
RO	ifm electronic s.r.l. • Sibiu 557260 • Tel. +40 / 269 224 550
RU	ifm electronic • 105318 Moscow • Tel. +7 / 495 921 44 14
SE	ifm electronic ab • 41250 Göteborg • Tel. +46 / 31 750 23 00
SG	ifm electronic Pte Ltd • 609935 Singapore • Tel. +65 / 6562 8661
SK	ifm electronic, s. r. o. • 831 06 Bratislava • Tel. +421 / 244 872 329
TR	ifm electronic Ltd.Şti. • 34381 Şişli / İstanbul • Tel. +90 / 212 210 5080
TW	ifm electronic • Kaohsiung City, Taiwan 806 • Tel. +886 / 7 335 7778
UA	TOV ifm electronic • 02660 Kiev • Tel. +380 / 44 501 85 43
US	ifm efector inc. • Malvern, PA 19355 • Tel. +1 / 800 441 8246
VN	ifm electronic Vietnam Co., Ltd. • 700000 Ho Chi Minh City • Tel. +84 / 28 2253 6715
ZA	ifm electronic (Pty) Ltd. • 0157 Pretoria • Tel. +27 / 12 450 0400

Technische Änderungen behalten wir uns ohne vorherige Ankündigung vor. • We reserve the right to make technical alterations without prior notice. • Nous nous réservons le droit de modifier les données techniques sans préavis.



## Installation instructions Vortex flow meter SVxx5x

80005171 / 01 05 / 2020



### Safety instructions

- If the operating instructions or the technical data are not adhered to, personal injury and/or damage to property can occur.
- In order to guarantee the correct condition of the device for the operating time it is necessary to use the device only for media to which the wetted materials are sufficiently resistant (→ Technical data).
- The responsibility whether the measurement devices are suitable for the respective application lies with the operator. The manufacturer assumes no liability for consequences of misuse by the operator. Improper installation and use of the devices results in a loss of the warranty claims.

**CAUTION**

For medium temperatures above 50 °C some parts of the housing can heat up to over 65 °C.

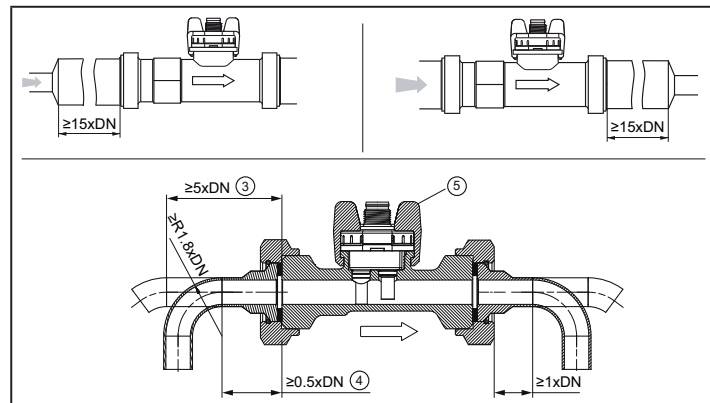
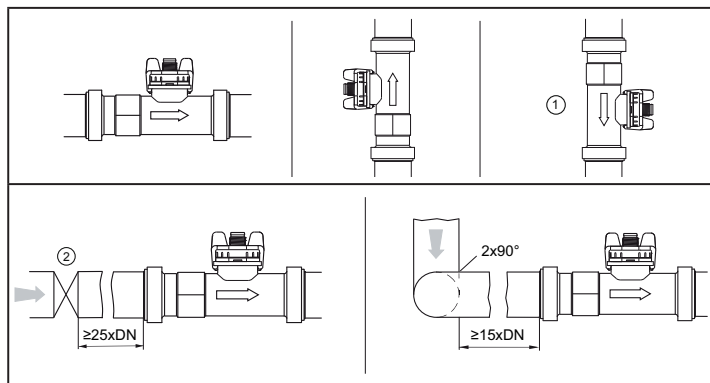
- ▶ In this case do not touch the unit.
- ▶ Protect the housing against contact with flammable substances and unintentional contact.

### Functions and features

The unit monitors the flow of liquids.  
The units comply with the Pressure Equipment Directive and are designed and manufactured for group 2 fluids in accordance with the sound engineering practice. Use of group 1 fluids on request.

### Installation

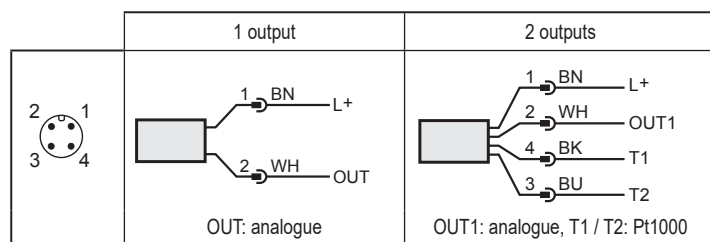
- ▶ Mount the unit in a way that no mechanical forces are exerted on the pipe. Use a mounting bracket if necessary.
- ▶ Tightening torque DN 6/8/10/15/20: ≤ 12 Nm, DN 25: ≤ 15 Nm.



- 1: Not recommended. The pipe must be free from any bubbles and always be completely filled with medium.
- 2: Valve or pump
- 3: For non-ideal bends
- 4: For ideal 90° bends with at least R 1.8 x DN
- 5: Do not remove locking clip during operation!

- ▶ Avoid disturbances in the inlet and the outlet.
- ▶ Make sure that pipe and sensor have the same internal diameter.

### Electrical connection



Colours to DIN EN 60947-5-2  
BN: brown; BK: black; WH: white; BU: blue